

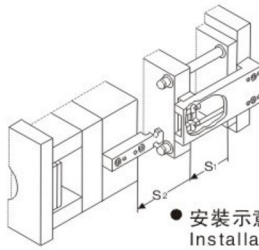
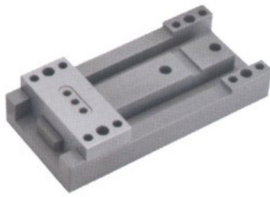
鎖模扣 Z4-30

LATCH LOCK

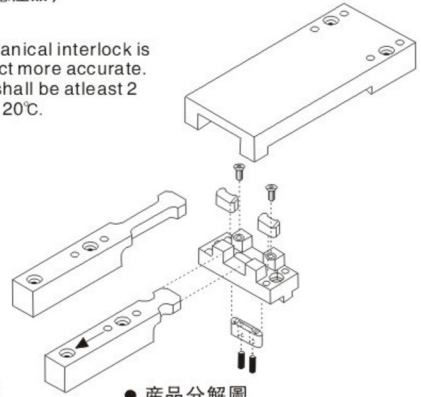
特點：安裝加工簡單，機械互鎖設計，安全可靠，可根據模具荷重選擇對應產品，在模板上至少要2套并對稱使用。使用溫度範圍120℃。

Characteristics: Installation and processing are simple. Design of mechanical interlock is safe and reliable. Connecting body and square positioning make product more accurate. People can select corresponding product according to die load. There shall be atleast 2 sets on template for symmetrical use. Operating temperature range is 120℃.

鎖模組件系列
Mould Part Components Series

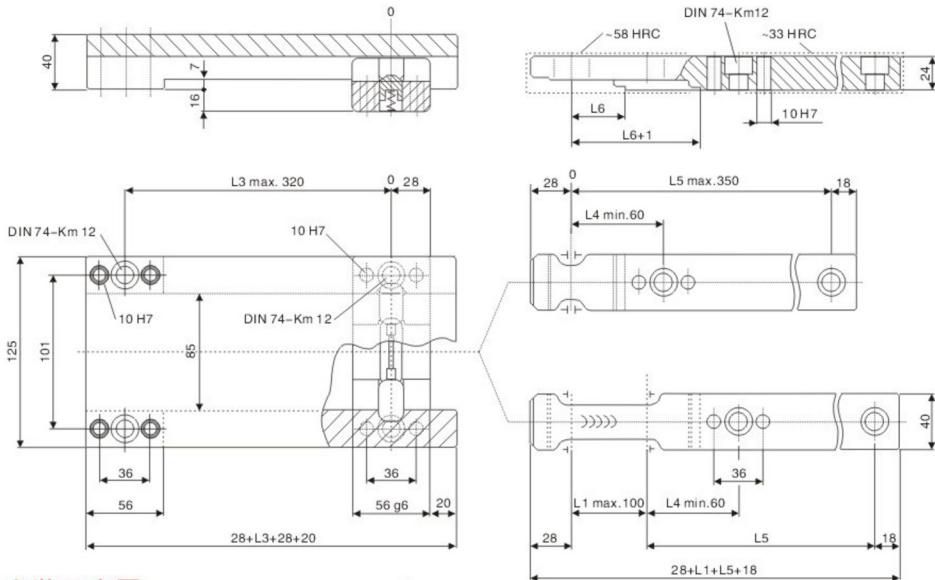


● 安裝示意圖
Installation diagram

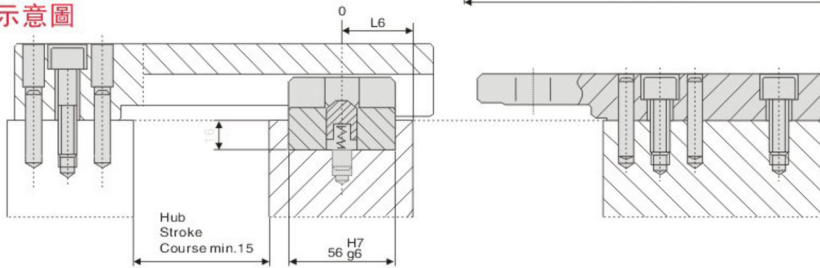


● 產品分解圖
Product breakdown drawing

Order: ×
Z4-30 × 10



● 安裝示意圖



L1	L3	L4	L5	L6	Stck./Quant