

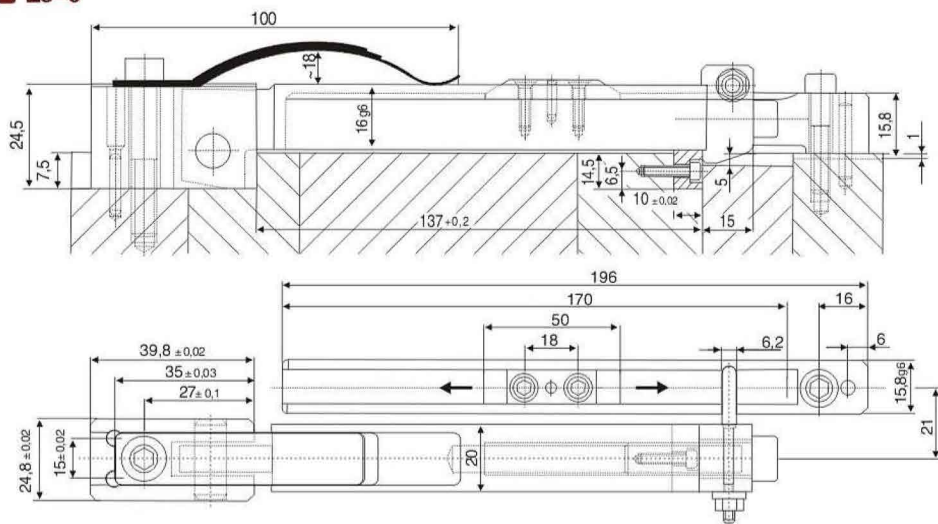
鎖模扣 LATCH LOCK

鎖模組件系列
Mold locking component series



特點：安裝方便，彈簧設計安全可靠，行程需要計算準確，使模具在平衡狀態開模，否則產品會損壞，在模板上至少要2套并對稱安裝。
Characteristics: Installation is convenient. Spring design is safe and reliable. The stroke needs to be calculated accurately. Implement die opening in equilibrium state. Otherwise, the product will be damaged. There shall be at least 2 sets on template for symmetrical installation.

Z5-0



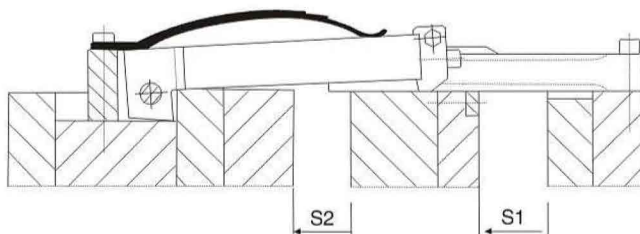
Order: Type No. x Pcs
Z5-0 x 10

Type

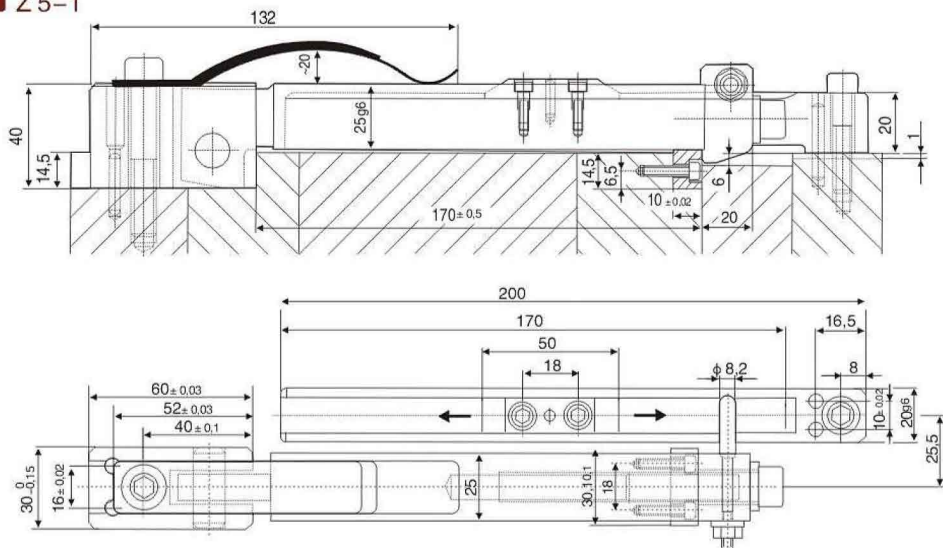
單價 ¥ Unit price

Z5-0

Example 使用例

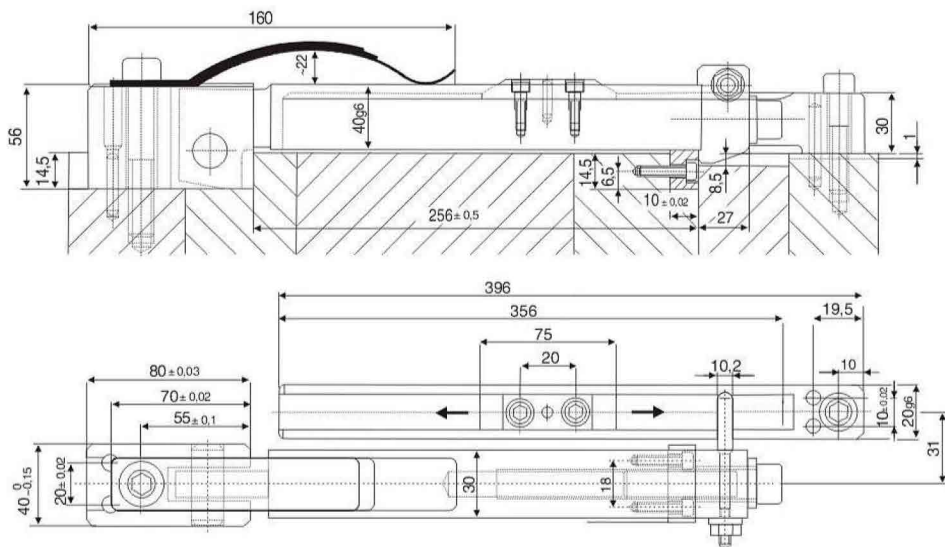


■ Z5-1



Type	單價 ¥	Unit price
Z5-1		

■ Z5-2



Type	單價 ¥	Unit price
Z5-2		