

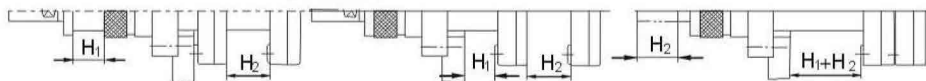
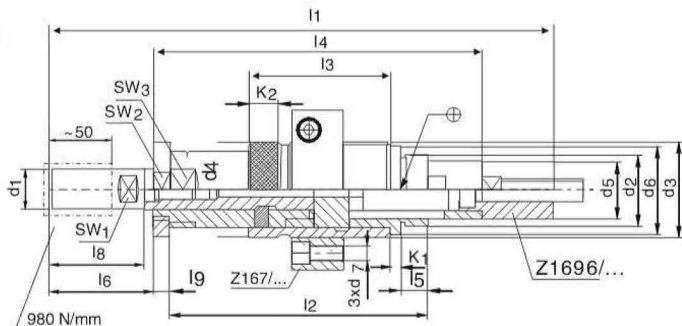
二次頂出 Z 1695

TWO-STAGE EJECTORS



方便安裝加工機械互鎖設計，安全可靠，安裝行程計算請需精準，否則產品易損壞，請根據模具荷重要求選擇適合的規格。

It is convenient for installing processing machinery interlocking design so that it is safe and reliable. The installation stroke needs to be calculated accurately. Otherwise, the product is likely to be damaged. Select appropriate specification according to load requirement of the die.



Type	k ₂	k ₄	sw ₂	sw ₁	sw ₁	k ₂	k ₂	k ₂	k ₂	k ₂	k ₂	l ₂	l ₁	H ₂		H ₁		d ₇	d ₆	d ₅	d ₄	d ₃	d ₂	d ₁	單價 unit price	
														min.	max.	min.	max.									
Z1695/22	6	36	46	17	10	52	58	17	175	82	141	278	6	48	4	36	9	50	31.5	52	M52x1.5	M40x1.5	22			
25	7	41	55	19	10	60	66	17	207	89	163	329	8	60	5	50	9	56	36	60	M60x1.5	M45x1.5	25			
32	16	8	50	65	27	12	82	102	22	257	106	196	430	10	86	6	60	11	70	44	70	M72x1.5	M55x1.5	32		

Order: Type No. — d1 x Pcs
Z1695 — 22 x 10